

## 6-component Force Transducer

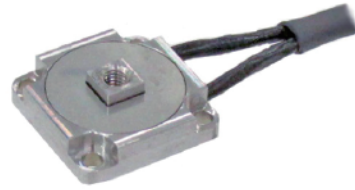
# 6D-50N-50N-80N-TMI

■ Capacities : Fx,Fy:50N Fz:80N Mx,My,Mz:0.5N·m

■ Custum made available

### ■ 6-component Force Transducer

Enables simultaneous measurement of 3 components of force (Fx,Fy,Fz) in 3 axial directions orthogonal to the transducer and 3 moments (Mx,My,Mz) around the axes.



### Model

Fx-                  Fy-                  Fz-  
Rated Capacity    Rated Capacity    Rated Capacity

**6D- 50N - 50N - 80N - TMI**

(Note) Custom made available

### Cable color code

| Item        | Color                |
|-------------|----------------------|
| F-line EXC+ | Pink (Red wire1)     |
| F-line EXC- | Pink (Black wire1)   |
| Fx : SIG+   | Orange (Red wire1)   |
| Fx : SIG-   | Orange (Black wire1) |
| Fy : SIG+   | White (Red wire1)    |
| Fy : SIG-   | White (Black wire1)  |
| Fz : SIG+   | Gray (Red wire1)     |
| Fz : SIG-   | Gray (Black wire1)   |

| Item        | Color                |
|-------------|----------------------|
| M-line EXC+ | Yellow (Red wire1)   |
| M-line EXC- | Yellow (Black wire1) |
| Mx : SIG+   | Orange (Red wire2)   |
| Mx : SIG-   | Orange (Black wire2) |
| My : SIG+   | White (Red wire2)    |
| My : SIG-   | White (Black wire2)  |
| Mz : SIG+   | Gray (Red wire2)     |
| Mz : SIG-   | Gray (Black wire2)   |
| Shield      |                      |

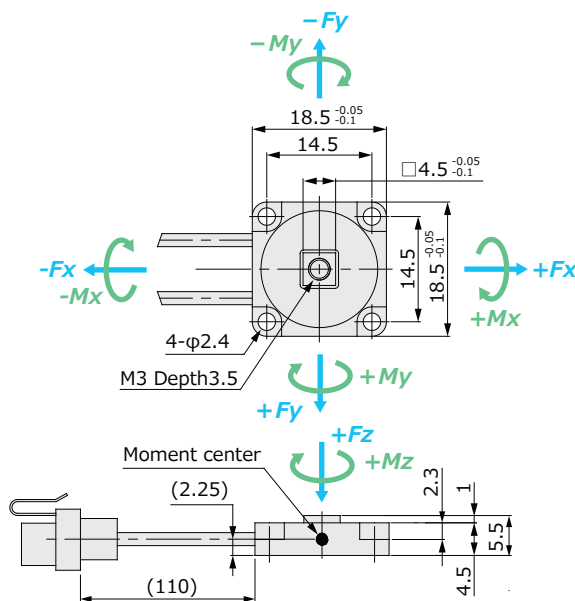
### Specifications

|                                |   |
|--------------------------------|---|
| Rated capacity                 | Fx,Fy : 50N Fz : 80N<br>Mx,My,Mz : 0.5N·m |
| Rated output (approx.)         | 0.3mV/V~0.6mV/V                           |
| Nonlinearity                   | ±0.5%R.O.                                 |
| Hysteresis                     | ±0.5%R.O.                                 |
| Interference ※                 | ±3%R.O.                                   |
| Temperature effect on zero     | ±0.05%R.O./°C                             |
| Temperature effect on output   | ±0.05%LOAD/°C                             |
| Temperature range, compensated | 0°C~+60°C                                 |
| Temperature range, safe        | -10°C~+70°C                               |
| Maximum safe overload          | 120%R.C.                                  |
| Ultimate overload              | 150%R.C.                                  |
| Excitation                     | 2V  |
| Input impedance                | 120Ω~240Ω                                 |
| Output impedance               | 120Ω~240Ω                                 |
| Insulation resistance          | >1000MΩ                                   |
| Cable type                     | φ5.7, 16-wire AWG28                       |
| Cable length                   | 2m  |
| Construction                   | Stainless steel                           |
| Weight (approx.)               | 6g  |
| Natural frequency              | 21kHz                                     |

※. The interference is interference compensated value.

(Note) Please connect to Dynamic strain meter.

### Outline dimensions (mm)



### Cable connecting parts

