

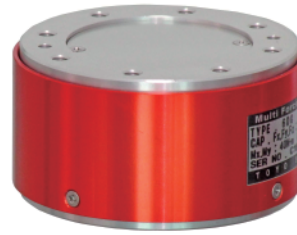
Built in amplifiers 6-component Force Transducer

6DG

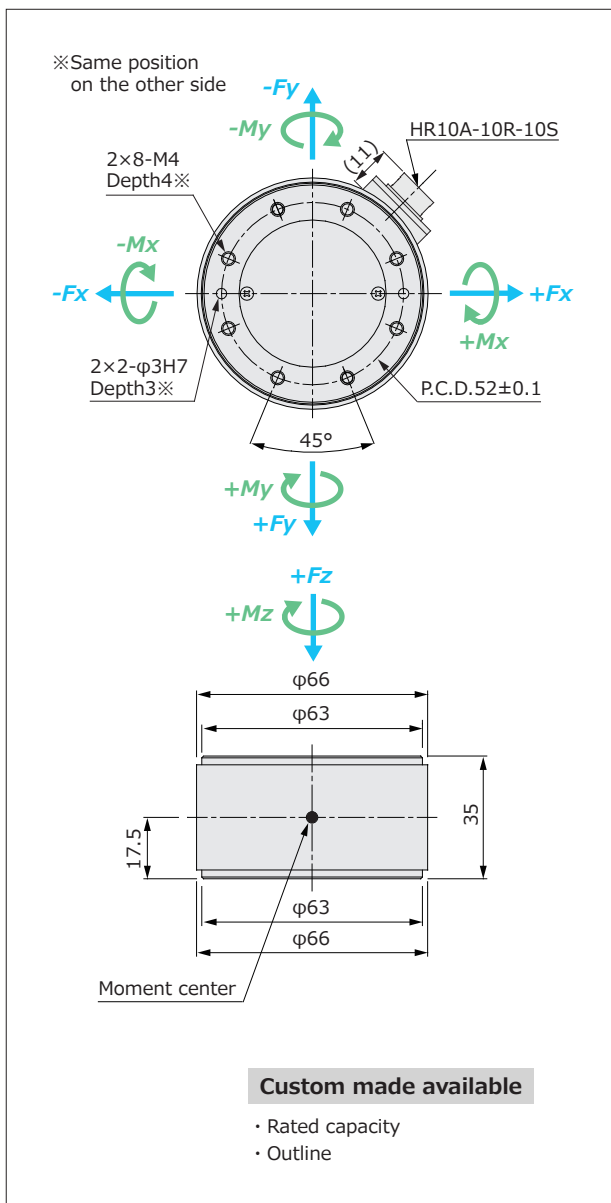
- Capacities : F_x, F_y, F_z : 1kN
 M_x, M_y : 40N·m
 M_z : 25N·m

- Built in amplifiers
- Custom made available
- 6-component Force Transducer**

Enables simultaneous measurement of 3 components of force (F_x, F_y, F_z) in 3 axial directions orthogonal to the transducer and 3 moments (M_x, M_y, M_z) around the axes.



Outline dimensions (mm)



Specifications

Rated capacity	F_x, F_y, F_z : 1kN M_x, M_y : 40N·m M_z : 25N·m
Rated output (approx.)	0.5V~+4.5V (Center : +2.5V)
Nonlinearity	±0.5%R.O.
Hysteresis	±0.5%R.O.
Interference ※	1.5%R.O.
Temperature effect on zero	±0.05%R.O./°C
Temperature effect on output	±0.05%LOAD/°C
Excitation	8V~15V
Frequency response	1.6kHz
Temperature range, compensated	0°C~+50°C
Temperature range, safe	-10°C~+60°C
Maximum safe overload	100%R.C.
Ultimate overload	150%R.C.
Connection	Receptacle: HR10A-10R-10S
Cable	φ5, 2m Plug: HR10A-10P-10P Other side: 8-wires
Construction	Aluminum
Weight (approx.)	120g

※.The interference is interference compensated value.

Cable color code

Item	Color
Power+	1 : Pink (Red wire)
GND	2 : Pink (Black wire)
F_x	3 : Yellow (Red wire)
F_y	4 : Orange (Red wire)
F_z	5 : White (Red wire)
M_x	6 : Yellow (Black wire)
M_y	7 : Orange (Black wire)
M_z	8 : White (Black wire)
Shield	