

S-Type Stainless Steel Load Cell

620

- Capacity range : 500kgf...5tf
- Stainless steel construction
- Sealed by welding to IP68



Model

Rated Capacity
620-

500K	500kgf (4.9kN)
1T	1tf (9.8kN)
2T	2tf (19.6kN)
5T	5tf (49kN)

Cable color code

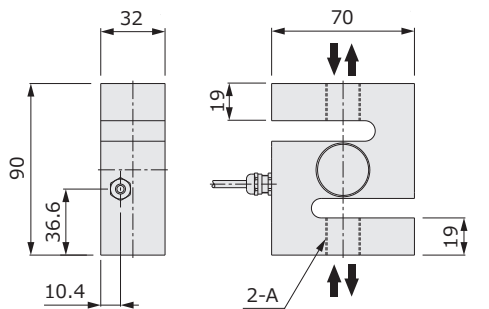
Item	Color
Excitation +	Blue
Excitation -	Black
Signal output +	White
Signal output -	Red
Sense +	Green
Sense -	Gray
Shield	Shield

Specifications

Rated output (R.O.)	2mV/V
Rated output tolerance	±1%
Zero balance	±2%R.O.
Zero return, 30 min	±0.05%LOAD
Total error	±0.05%R.O.
Temperature effect on zero	±0.007%R.O./°C
Temperature effect on output	±0.004%LOAD/°C
Temperature range, compensated	-10°C~+40°C
Temperature range, safe	-30°C~+70°C
Maximum safe overload	150%R.C.
Excitation, recommended	10V
Excitation, maximum	15V
Input impedance	385Ω±20Ω
Output impedance	350Ω±3Ω
Insulation resistance	>2000MΩ
Cable type	φ5.6, 6-wire, braided, PVC, dual floating screen, AWG26
Cable length	5m
Construction	Stainless steel
Environmental protection	IP68
Weight (approx.)	1.1kg : [500K...2T] 3.3kg : [5T]
Nominal (rated) deflection	<0.4mm

Outline dimensions (mm)

620-500K...2T

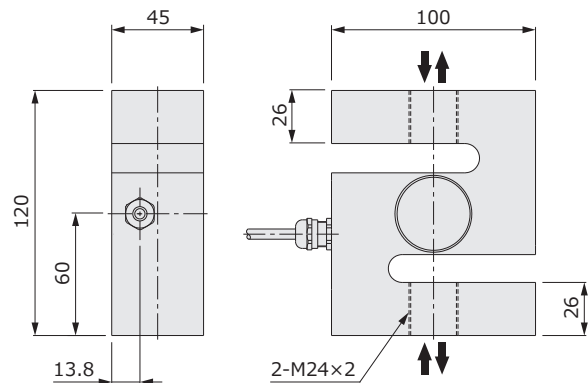


Dimensions

Model	A
620-500K	M12
620-1T, 2T	M16

Load direction
 ※Polarity
 Compression +
 Tension -

620-5T



Load direction
 ※Polarity
 Compression +
 Tension -