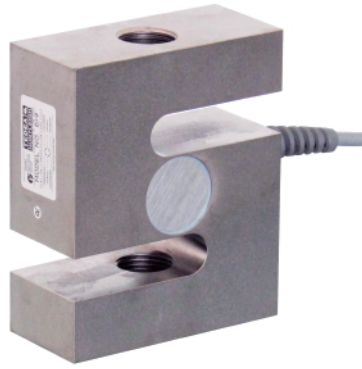


S-Type Alloy Steel Load Cell

619

- Capacities : 1.5tf...5tf
- Alloy steel construction
- Sealing: welded to IP67

**Model**

Rated Capacity

619-

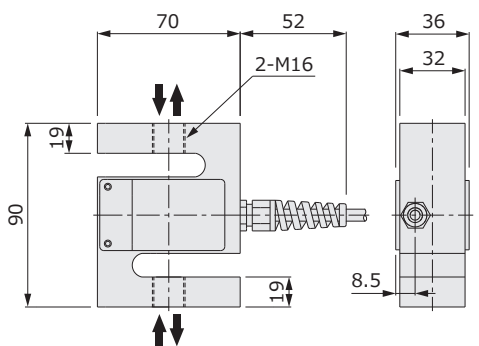
1.5T	1.5tf (14.7kN)
2T	2tf (19.6kN)
3T	3tf (29.4kN)
5T	5tf (49kN)

Cable color code

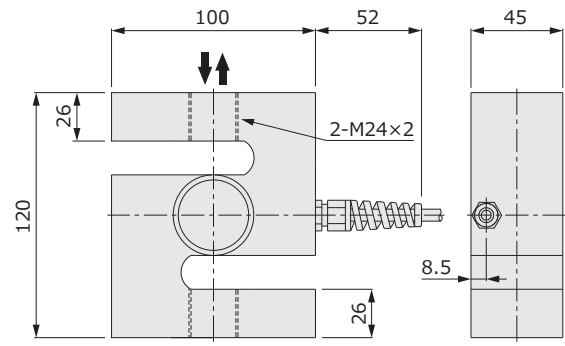
Item	Color
Excitation +	Green
Excitation -	Black
Signal output +	Red
Signal output -	White
Sense +	Blue
Sense -	Brown
Shield	Shield

Specifications

Rated output (R.O.)	2mV/V
Rated output tolerance	±1%
Zero balance	±10%R.O.
Zero return, 30 min	±0.03%LOAD
Total error	±0.03%R.O.
Temperature effect on zero	±0.006%R.O./°C
Temperature effect on output	±0.0014%LOAD/°C
Temperature range, compensated	-10°C~+40°C
Temperature range, safe	-30°C~+70°C
Maximum safe overload	150%R.C.
Ultimate central overload	300%R.C.
Excitation, recommended	10V
Excitation, maximum	15V
Input impedance	380Ω±20Ω
Output impedance	350Ω±3Ω
Insulation resistance	2000MΩ以上
Cable type	φ5.6, 6-wire, braided, PVC, dual floating screen, AWG26
Cable length	5m
Construction	Nickel-plated alloy tool steel
Environmental protection	IP67
Weight (approx.)	1.1kg : [1.5T, 2T] 3.3kg : [3T, 5T]
Nominal (rated) deflection	<0.4mm

Outline dimensions (mm)**619-1.5T, 2T**

↑↓ Load direction
 ※Polarity
 Compression -
 Tension +

619-3T, 5T

↑↓ Load direction
 ※Polarity
 Compression -
 Tension +