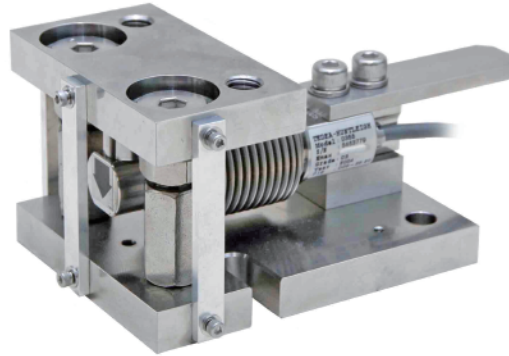
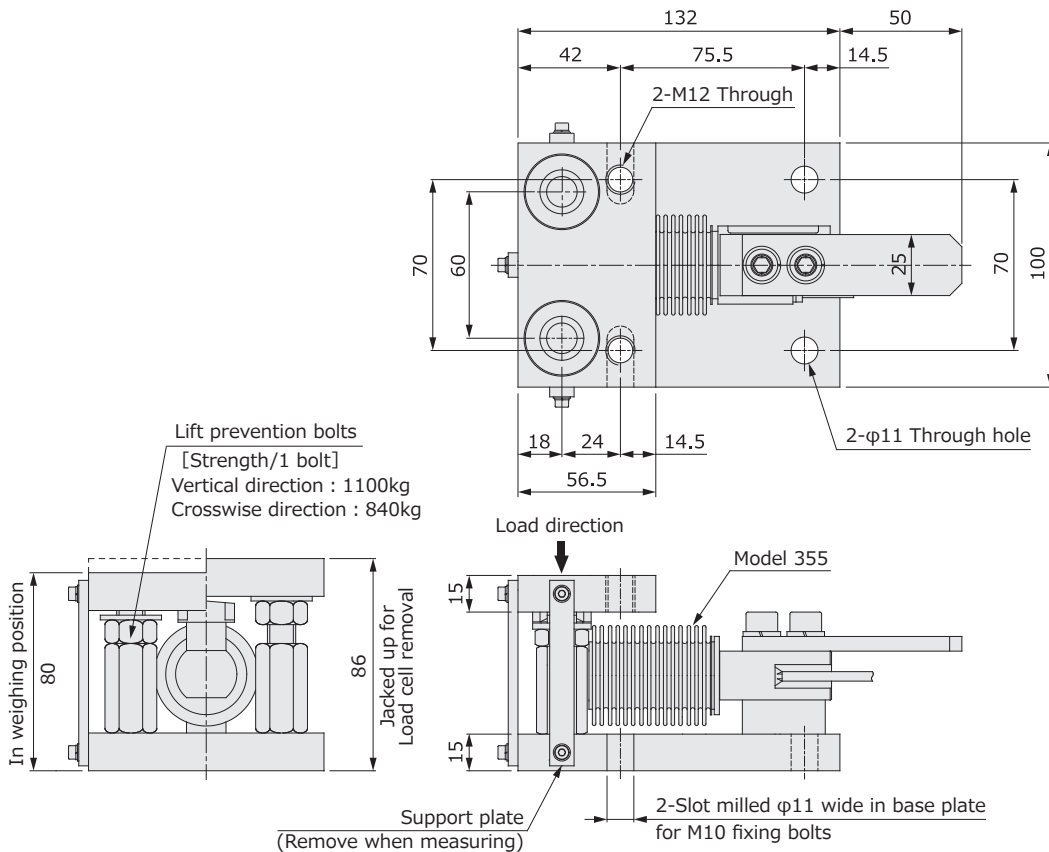


355 Cellmate

- Capacities : 5kgf...500kgf
- Stainless steel construction
- Provision for thermal expansion contraction and lift-off due to winds or collision
- Suitable for load cell Model 355
- Internal jack for load cell easy installation and replacing



Outline dimensions (mm)



※ Please check "Instruction manual for 355 Cellmate".