

Stainless Steel Shear Beam Load Cell

3510

- Capacities : 300kgf...5tf
- Stainless steel construction
- IP68 protection



Model

Rated Capacity

3510 -

300K	300kgf (2.94kN)
500K	500kgf (4.9kN)
1T	1000kgf (9.8kN)
2T	2000kgf (19.6kN)
5T	5000kgf (49kN)

Cable color code

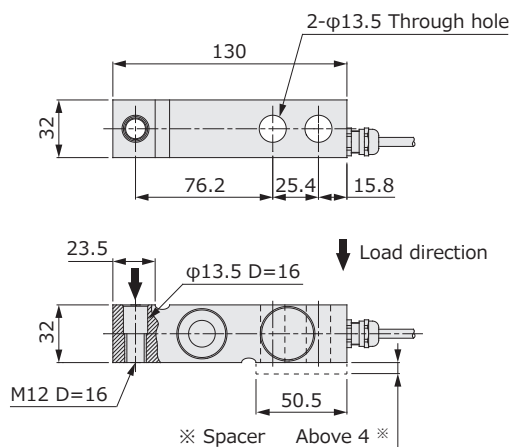
Item	Color
Excitation +	Blue
Excitation -	Black
Signal output +	White
Signal output -	Red
Sense +	Green
Sense -	Gray
Shield	Shield

Specifications

Rated output (R.O.)	2mV/V
Rated output tolerance	±0.1%
Zero balance	±2%R.O.
Zero return, 30 min	±0.025%LOAD
Total error	±0.03%R.O.
Temperature effect on zero	±0.0035%R.O./°C
Temperature effect on output	±0.0014%LOAD/°C
Temperature range, compensated	-10°C~+40°C
Temperature range, safe	-20°C~+70°C
Maximum safe overload	150%R.C.
Ultimate central overload	300%R.C.
Excitation, recommended	10V
Excitation, maximum	15V
Input impedance	380Ω±10Ω : [300K...2T] 400Ω±20Ω : [5T]
Output impedance	355Ω±5Ω : [300K...2T] 375Ω±25Ω : [5T]
Insulation resistance	>2000MΩ
Cable type	φ5.6, 6-wire, braided, polyurethane dual loading screen, AWG26
Cable length	5m
Construction	Stainless steel
Environmental protection	IP68
Recommended torque	136N·m : [300K...2T] 205N·m : [5T]
Weight (approx.)	0.9kg : [300K...2T] 1.9kg : [5T]
Nominal (rated) deflection	<0.4mm

Outline dimensions (mm)

3510-300K...2T



3510-5T

