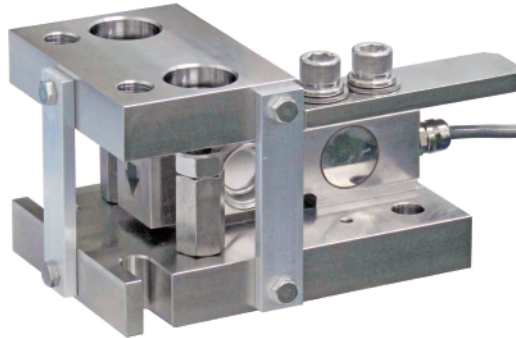


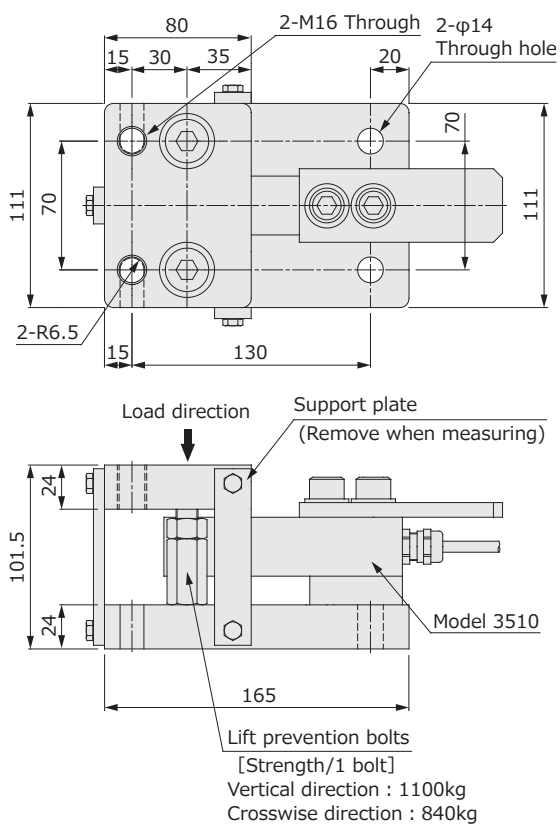
3510 Cellmate

- Capacities : 300kgf...5tf
- Stainless steel construction
- Provision for thermal expansion contraction and lift-off due to winds or collision
- Suitable for load cell Model 3510
- Internal jack for load cell easy installation and replacing

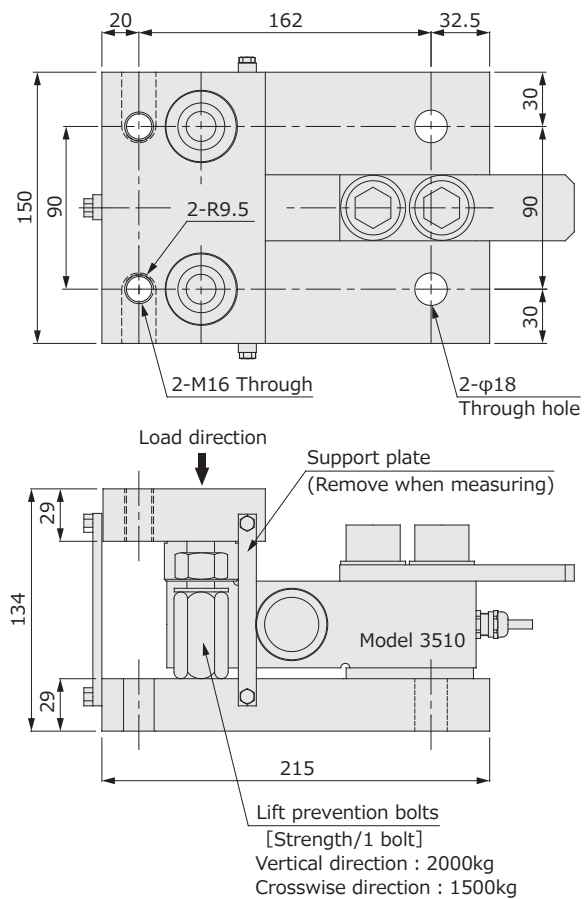


Outline dimensions (mm)

3510-300K...2T Cellmate



3510-5T Cellmate



※ Please check "Instruction manual for 3510 Cellmate".