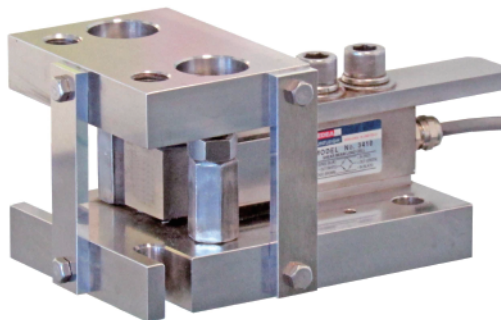


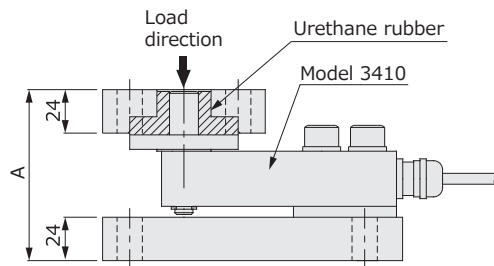
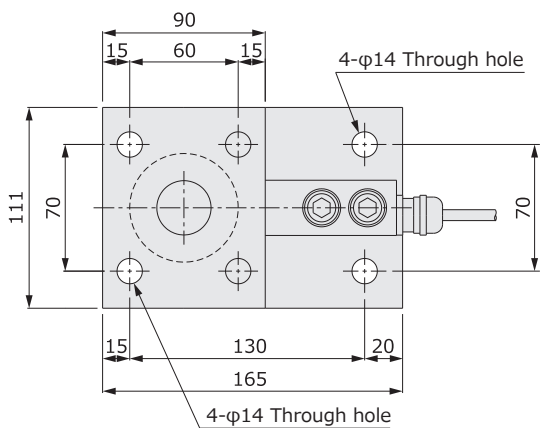
3410 Cellmate

- Capacities : 250kgf...2tf
- Stainless steel construction
- Provision for thermal expansion contraction and lift-off due to winds or collision
- Suitable for load cell Model 3410
- Internal jack for load cell easy installation and replacing



Outline dimensions (mm)

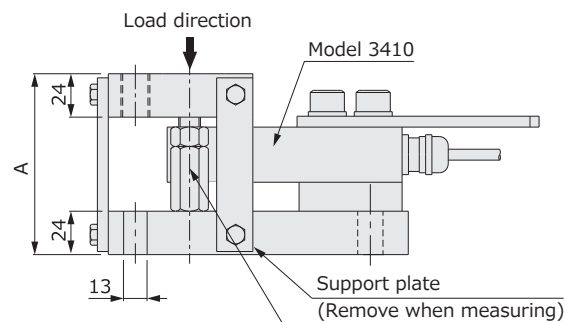
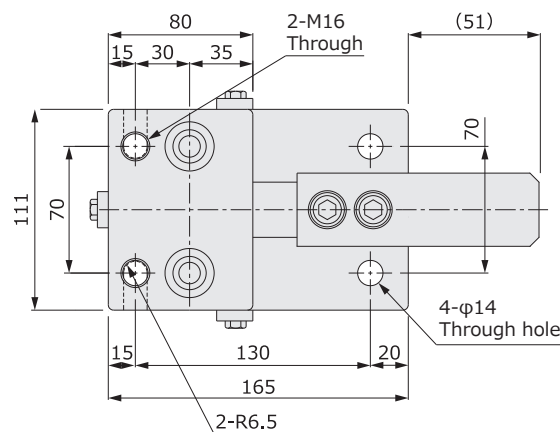
Simply Cellmate



Dimensions

Model	A
3410-250K...1T	94.5
3410-2T	100

Cellmate



Dimensions

Model	A
3410-250K...1T	100
3410-2T	105.5

Lift prevention bolts
[Strength/1 bolt]
Vertical direction : 1100kg
Crosswise direction : 840kg

※ Please check "Instruction manual for 3410 Cellmate".