

Heavy Duty Compression Load Cell

122

- Capacities : 50tf...150tf
- Stainless steel housing as standard
- Hermetically sealed to IP68



Model

Rated Capacity

122-



50T	50tf (490kN)
100T	100tf (980kN)
150T	150tf (1470kN)

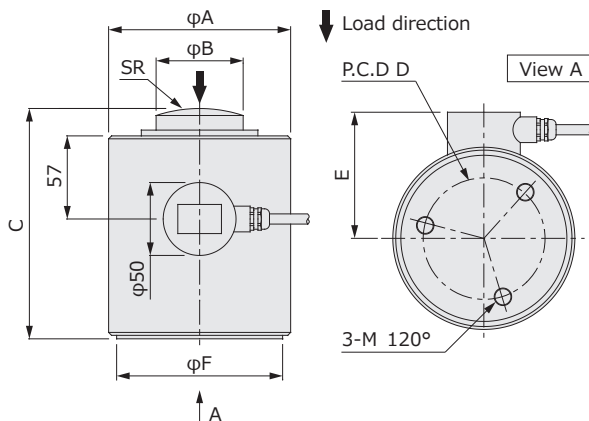
Cable color code

Item	Color
Excitation +	Green
Excitation -	Black
Signal output +	Red
Signal output -	White
Sense +	Blue
Sense -	Brown
Shield	Shield

Specifications

Rated output (R.O.)	1.5mV/V : [50T, 100T] 2mV/V : [150T]
Rated output tolerance	±0.1%
Zero balance	±1%R.O.
Zero return, 30 min	±0.03%LOAD
Total error	±0.05%R.O.
Temperature effect on zero	±0.03%R.O./°C
Temperature effect on output	±0.03%LOAD/°C
Temperature range, compensated	+5°C~+45°C
Temperature range, safe	-20°C~+60°C
Maximum safe overload	150%R.C.
Ultimate central overload	200%R.C.
Excitation, recommended	10V
Excitation, maximum	15V
Input impedance	670Ω±15Ω : [50T] 1270Ω±20Ω : [100T] 1350±30Ω : [150T]
Output impedance	600Ω±5Ω : [50T] 1205Ω±5Ω : [100T] 1205±5Ω : [150T]
Insulation resistance	>2000MΩ
Cable type	φ5.6, 6 wire, braided, PVC single floating screen, AWG26
Cable length	15m
Construction	Stainless steel housing, plated alloy steel sensor
Environmental protection	IP68
Weight (approx.)	5.5kg : [50T] 13kg : [100T, 150T]
Nominal (rated) deflection	<0.3mm

Outline dimensions (mm)



Dimensions

Rated Capacity	50T	100T	150T
φA	88	125	125
φB	45	59.8	59.8
C	122	158	158
D	50	84	84
E	69	86.5	86.5
φF	79	103	112
M	3-M10×17L	3-M12×22L	3-M12×22L
SR	35	120	120