

High Capacity Compression Load Cell

120

- Capacities : 3tf...50tf
- Stainless steel housing
- IP68 protection

**Model**

Rated Capacity

120-

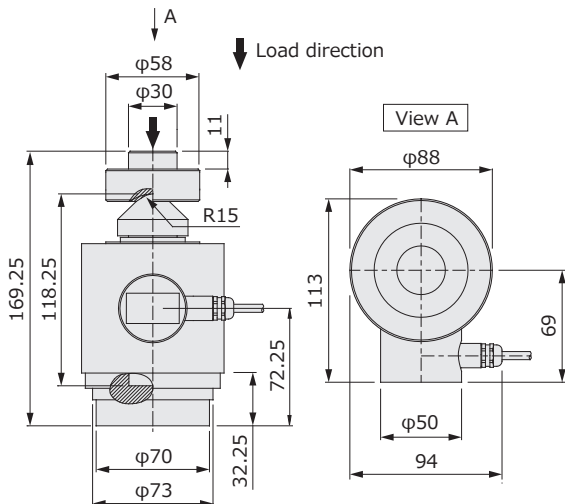
3T	3tf (29.4kN)
5T	5tf (49kN)
10T	10tf (98kN)
20T	20tf (196kN)
30T	30tf (294kN)
50T	50tf (490kN)

Cable color code

Item	Color
Excitation +	Green
Excitation -	Black
Signal output +	Red
Signal output -	White
Sense +	Blue
Sense -	Brown
Shield	Shield

Specifications

Rated output (R.O.)	1.5mV/V
Rated output tolerance	±0.1%
Zero balance	±10%R.O.
Zero return, 30 min	±0.05%LOAD
Total error	±0.05%R.O.
Temperature effect on zero	±0.01%R.O./°C
Temperature effect on output	±0.005%LOAD/°C
Temperature range, compensated	-10°C~+40°C
Temperature range, safe	-30°C~+70°C
Maximum safe overload	150%R.C.
Ultimate central overload	300%R.C.
Excitation, recommended	10V
Excitation, maximum	15V
Input impedance	670Ω±15Ω
Output impedance	605Ω±5Ω
Insulation resistance	>2000MΩ
Cable type	φ5.6, 6-wire, braided, polyurethane, dual floating screen, AWG26
Cable length	15m
Construction	Stainless steel housing, plated alloy steel element
Environmental protection	IP68
Weight (approx.)	4kg : [3T...30T] 6kg : [50T]
Nominal (rated) deflection	<0.3mm

Outline dimensions (mm)**120-3T...30T****120-50T**