

Aluminum Single-Point Load Cell

1022

- Capacities : 3kgf...200kgf
- Aluminum construction
- IP66 protection



Model

Rated Capacity

1022 -

3K	3kgf (29.4N)
5K	5kgf (49N)
7K	7kgf (68.4N)
10K	10kgf (98N)
15K	15kgf (147N)
20K	20kgf (196N)
30K	30kgf (294N)
50K	50kgf (490N)
100K	100kgf (980N)
150K	150kgf (1.47kN)
200K	200kgf (1.96kN)

Cable color code

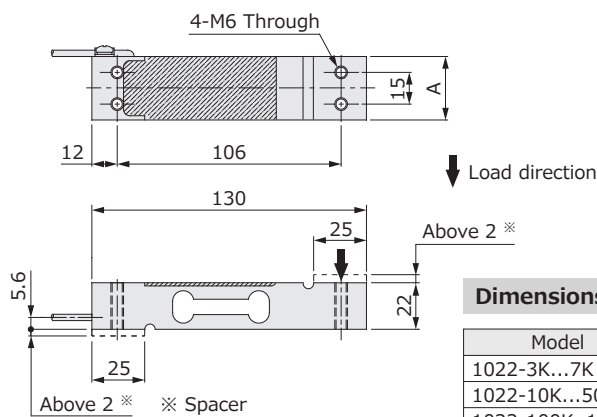
Item	Color
Excitation +	Green
Excitation -	Black
Signal output +	Red
Signal output -	White
Shield	Shield

Specifications

Rated output (R.O.)	2mV/V
Rated output tolerance	±10%
Zero balance	±5%R.O.
Zero return, 30 min	±0.017%LOAD
Total error	±0.02%R.O.
Temperature effect on zero	±0.0014%R.O./°C
Temperature effect on output	±0.001%LOAD/°C
Eccentric loading error	±0.0057%LOAD/cm
Temperature range, compensated	-10°C~+40°C
Temperature range, safe	-30°C~+70°C
Maximum safe overload	150%R.C.
Ultimate central overload	300%R.C.
Excitation, recommended	10V
Excitation, maximum	15V
Input impedance	415Ω±20Ω
Output impedance	350Ω±3Ω
Insulation resistance	>2000MΩ
Cable type	φ3, 4 wire, PVC Single floating screen, AWG28
Cable length	3m
Construction	Aluminum
Environmental protection	IP66
Platform size (max)	350mm×350mm
Recommended torque	7N·m : [3K...30K] 10N·m : [50K...200K]
Weight (approx.)	150g : [3K...50K] 250g : [100K...200K]
Nominal (rated) displacement	<0.4mm

Outline dimensions (mm)

1022-3K...150K



Dimensions

Model	A
1022-3K...7K	25.4
1022-10K...50K	30
1022-100K, 150K	40

1022-200K

